

# LOFTDEUR

## Installation Instruction for Sliding Doors

### Before getting started:

### Read these instruction completely before starting:



#### WARNING

- Failure to wear proper safety gear (i.e., eye protection) may result in serious injury or death. Always wear proper safety gear before using power tools.
- Improper operation of power tools may result in loss of control, serious injury or death. Always ensure you have complete control of the power tool and the work area is free of hazards before operating a power tool.
- Lack of secure clamping of the door may result in unexpected movement of the door, loss of power tool control and serious injury or death. Always securely clamp the door in place before cutting, or drilling, the door.
- Lack of, or improperly installed Anti-jump Disc may result in the door coming off the track and cause serious injury or death. Installation of Anti-jump Discs are required for safe operation of this hardware. Installed properly, these discs will keep the door securely attached to the track.



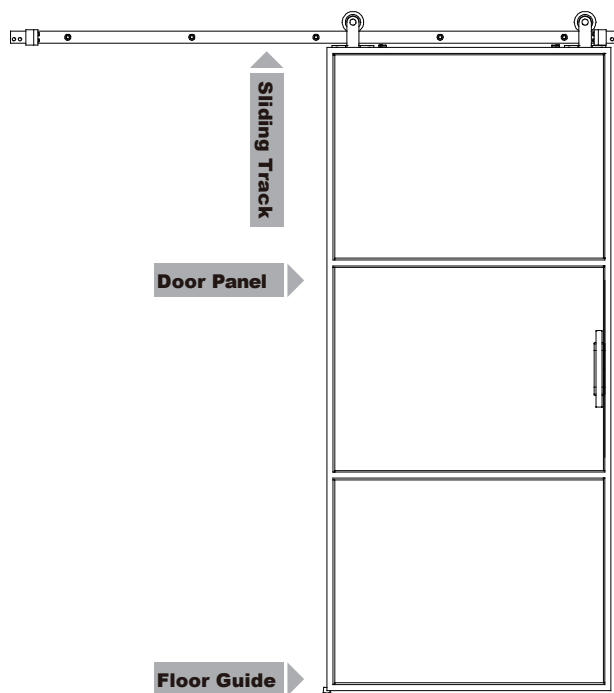
#### CAUTION

- Mishandling of heavy objects (i.e., doors) may cause a loss of balance and serious injury. Always be sure you have a secure hold on the object and are balanced before moving the object. Always wear safety shoes when lifting heavy objects.
- Getting body parts (i.e., hair, fingers) caught in moving parts may cause pinching and serious injury. Do not put fingers in parts that may move and always remove or contain anything on your body that may become entangled with a moving part.
- Closing sliding doors with your hand on the end of the door may result in your hand, or fingers, getting caught between the door and other solid objects (i.e., another door, molding) causing serious injury. Always use the door handle to close doors.

#### NOTICE

Use of excessive force when opening, and closing, the door(s) may result in damage to the hardware. Always hold the handle and gently open and close the door(s).

### Door elements



### Door elements:

- These ready to be installed doors include pre-assembled door panel, sliding track and floor guide.
- Also the necessary components for installation already in the accessory bag.

### Tools for installation:

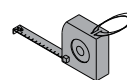
During the installation you will need tape, a meter, a level, a wrench, a cutter knife, a drilling machine, a pencil and a hammer.

### Preparations:

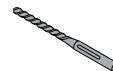
It's important to verify if the width of the door is wide enough for your opening. You can check this by measuring your opening on the top, in the middle and at the bottom. The lowest value found on the opening needs to be greater or equal to the width of the door.

Choose the position and direction of your door. Left open or Right open?

### Tools



Tape measure



Drill bit (D=12mm)



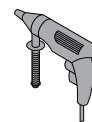
Drill bit (D=6mm)



Wrench



Hammer



Electric Drill

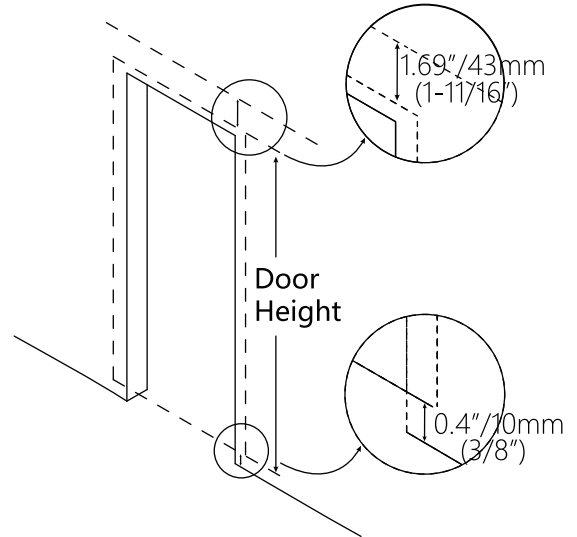


Level

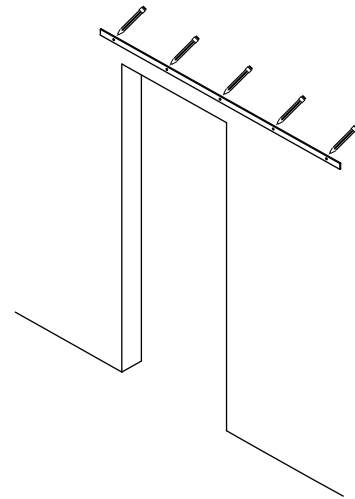
## Installation of sliding track in below steps:

### Step 1: Preparation of the Sliding Track:

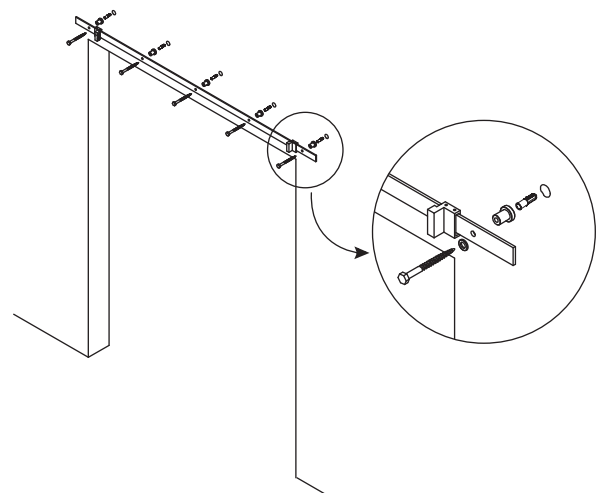
- 1.1** • Mark the installation height of the sliding track with a Pencil and Level.  
Installation height = 1.69" + Door Height + 0.4"  
measured from the finished floor.
- Check if your floor is level. If not, please measure the distance from the highest point of your floor.
  - Make sure that the horizontal line has the same length as your track length. So you can easily find your track hole center position to attach the track to your wall in the following steps.



- 1.2** • Hold up your track so that the marked line from step 1.1 will be visible through the track holes.
- Mark the drilling holes on the wall through the screw holes on the sliding track.
  - Drill the marked holes by using a 12mm drill bit. If wooden wall, you do not need to drill holes.

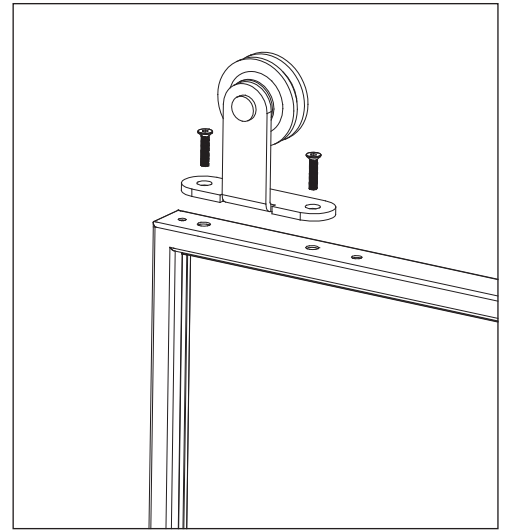


- 1.3** • Put the door stopper on both ends of the track and use the hex wrench to tighten it later.
- Mount the door track horizontally onto the wall with bolts
  - Now you have installed the track onto the wall successfully.

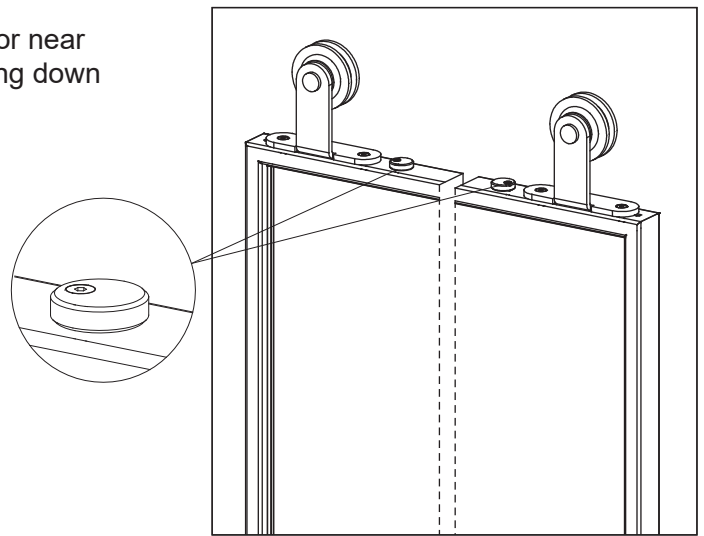


## Step 2: Preparation of the Door Panel:

- 2.1 • Mount the steel hangers to the top of the door panel with bolts.

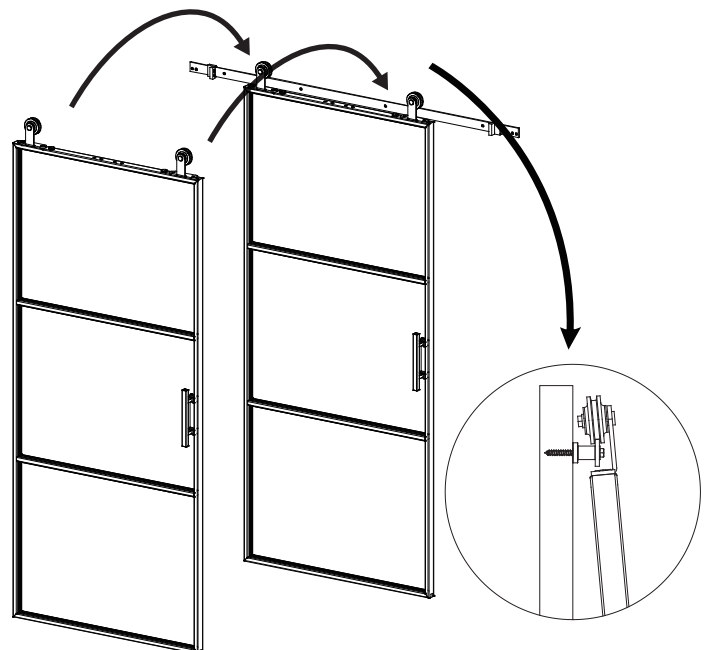


- 2.2 • Place your anti-jump pad on the top of the door near the hangers. It can prevent the door from falling down from the track.



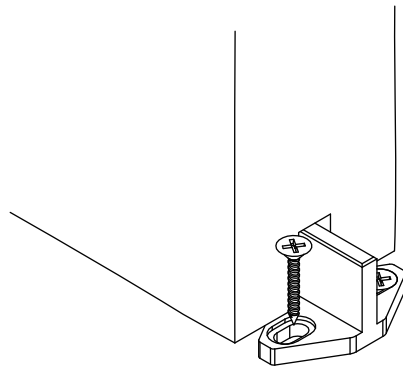
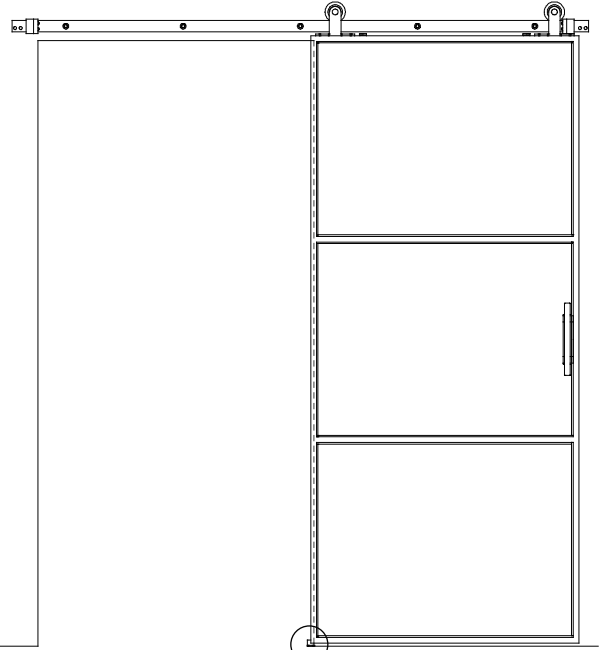
## Step 3: Hang the Door Panel onto the track:

- Lift your door up to your track at a slight angle and rest both wheel grooves onto the top of the track carefully.

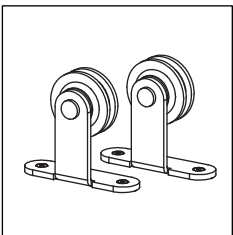


#### Step 4: Install the floor guide:

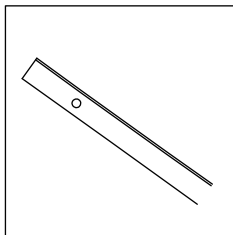
- Guide your door to the resting position.
- Use your level to plumb your door.
- When the door is in the opening position, place the floor guide half way into the door slot.
- Double check that your door is plumb.
- Hold the floor guide firmly in position and mark centers in the middle of both floor guide holes.
- Use a "6mm" drill bit to drill 2 holes on the floor at the location you just marked.
- Put the screw anchor in to both of the holes.
- Hold the floor guide in place and secure it on the floor with screws.
- Now you have completely installed your sliding barn door.



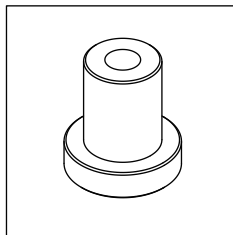
#### Sliding Door Hardware Kit



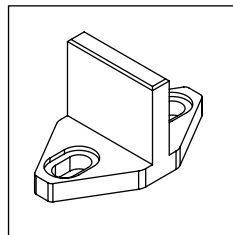
Steel Hanger



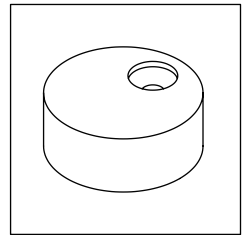
Flat Track



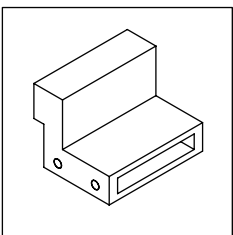
Adjustable Spacer



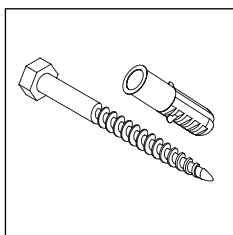
Floor Guide



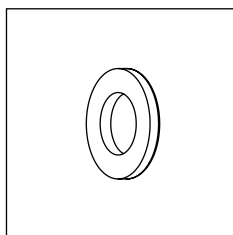
Anti-jump Pad



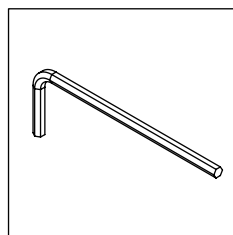
Door Stopper



Lag Bolt



Washer



Hex Wrench