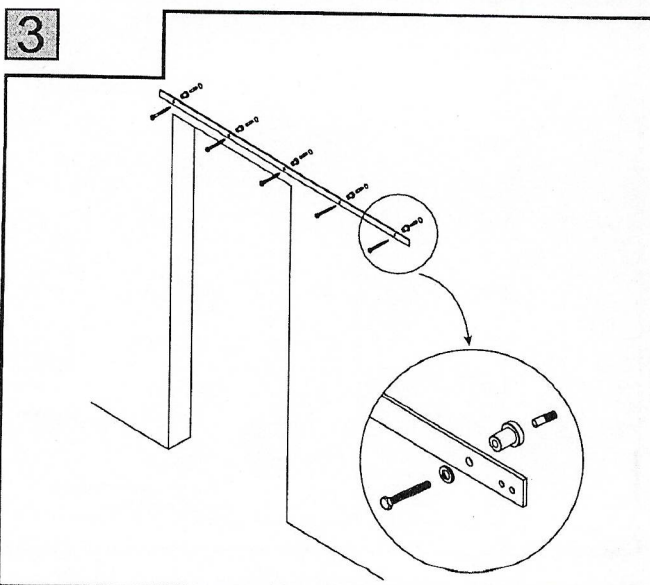
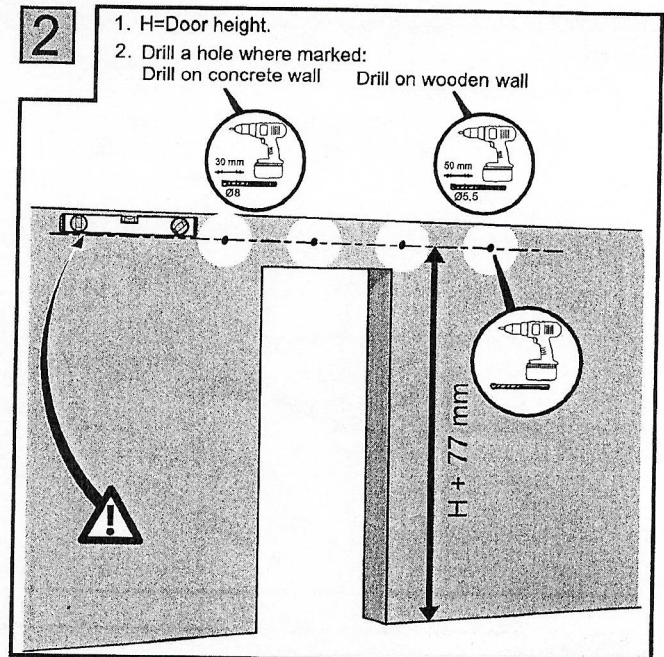
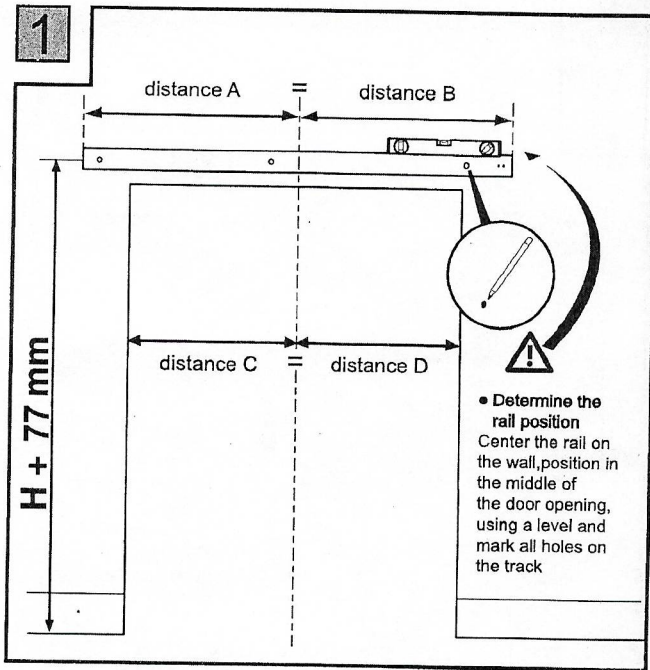
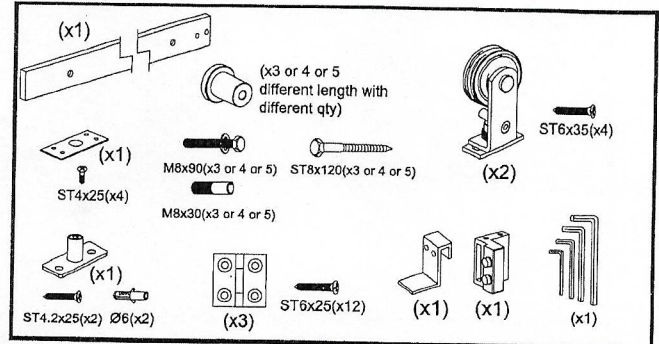
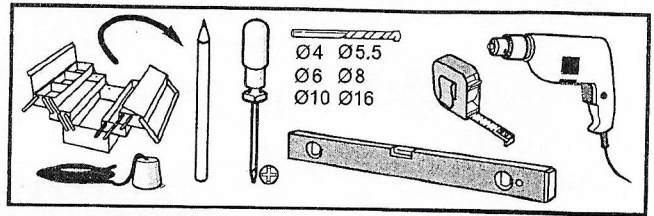
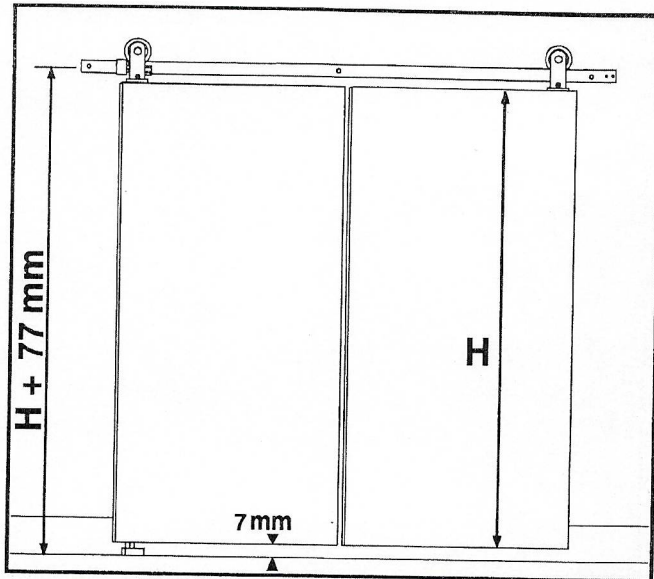
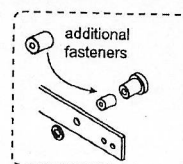


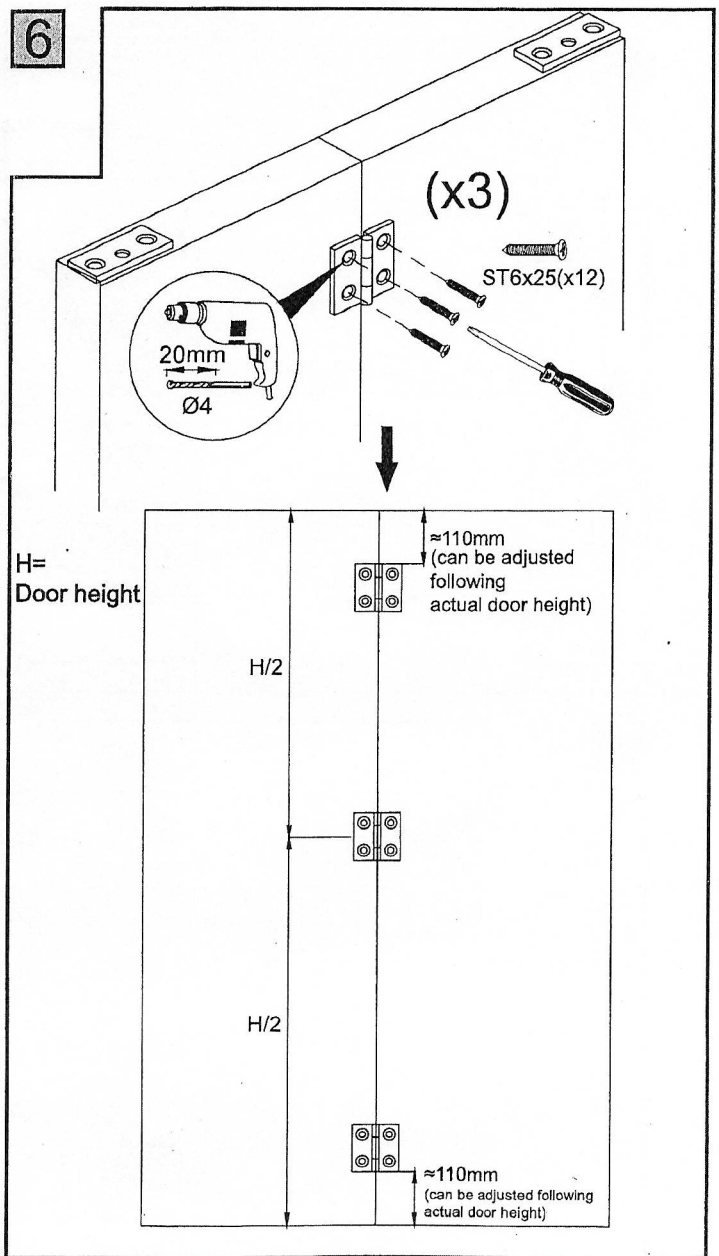
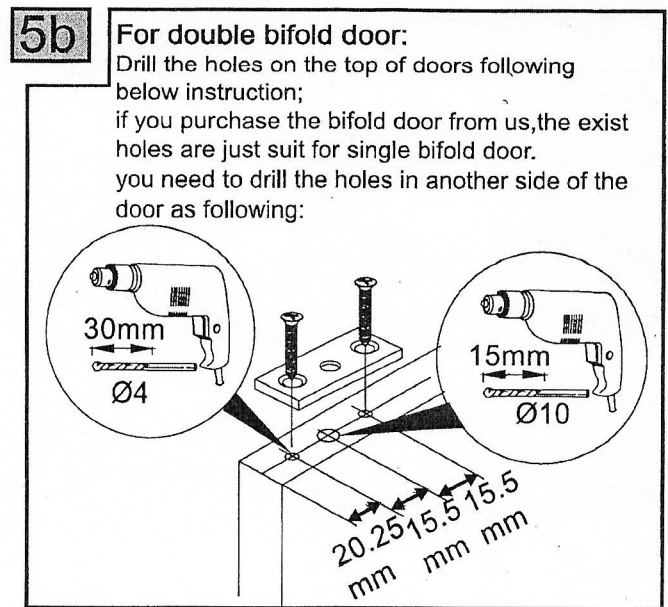
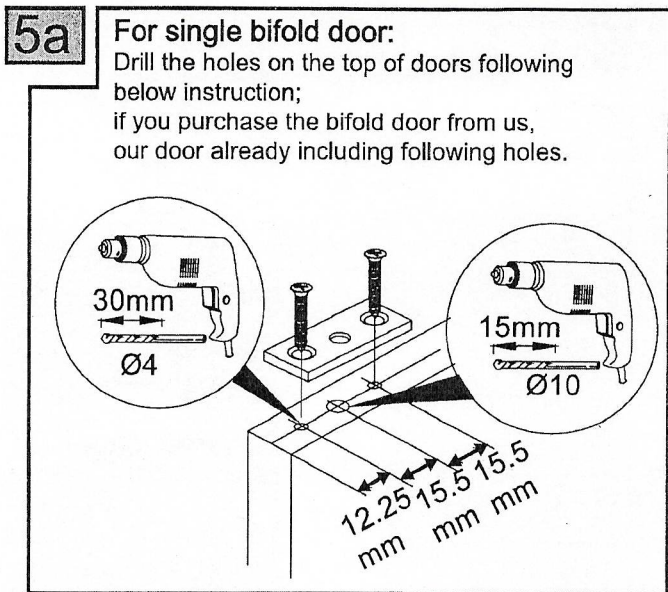
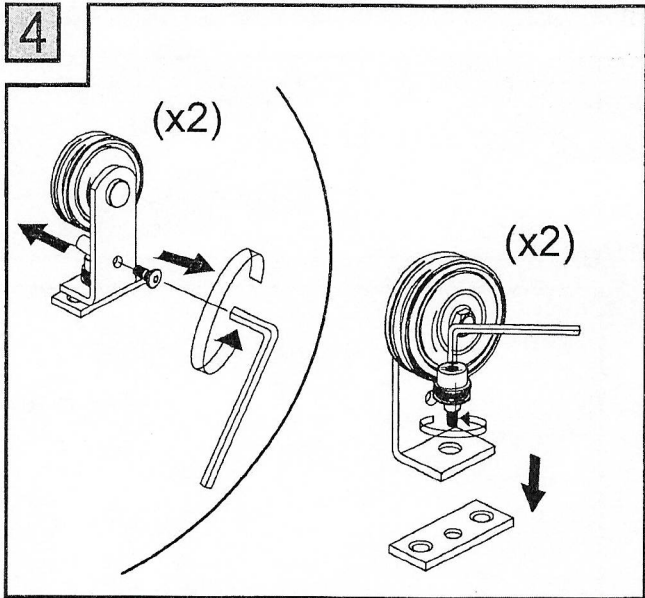
# Installation Manual



3. Normal 35mm length of spacers is suit for belong situation:  
Door opening without door jamb & Door thickness 40mm & Single bifold door;

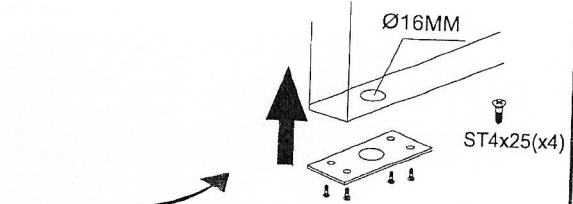
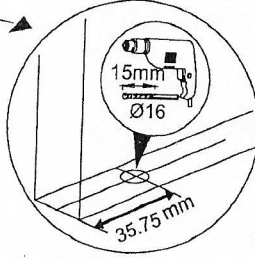
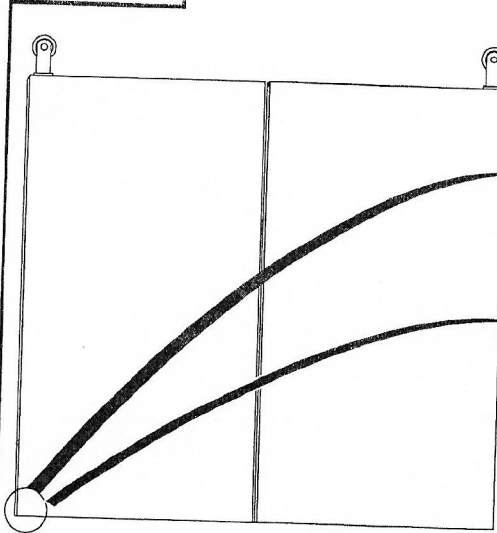
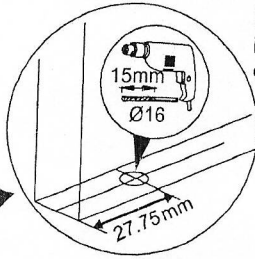
4. If have following situation, pls add additional fasteners:  
Having door jamb;  
Door thickness between 40-45mm;  
Adopt on Double bifold door;





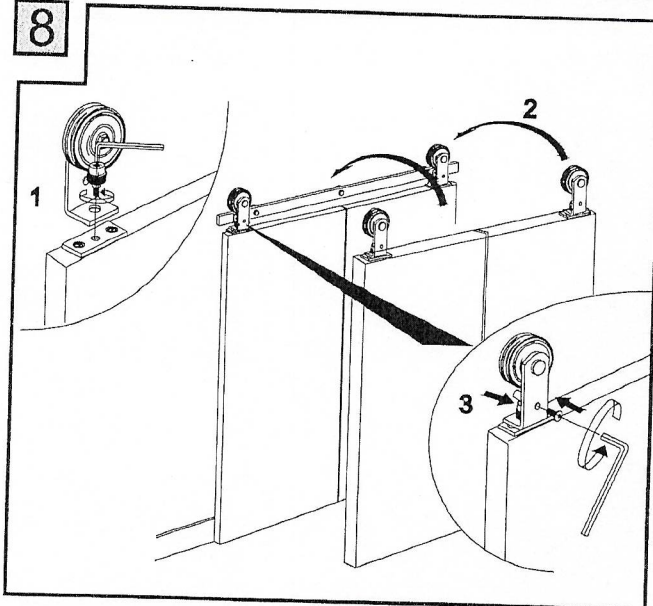
7

7a.:Single bifold door: Drill the hole on the bottom of doors following the instruction; if you purchase the bifold door from us, our door already including this hole.

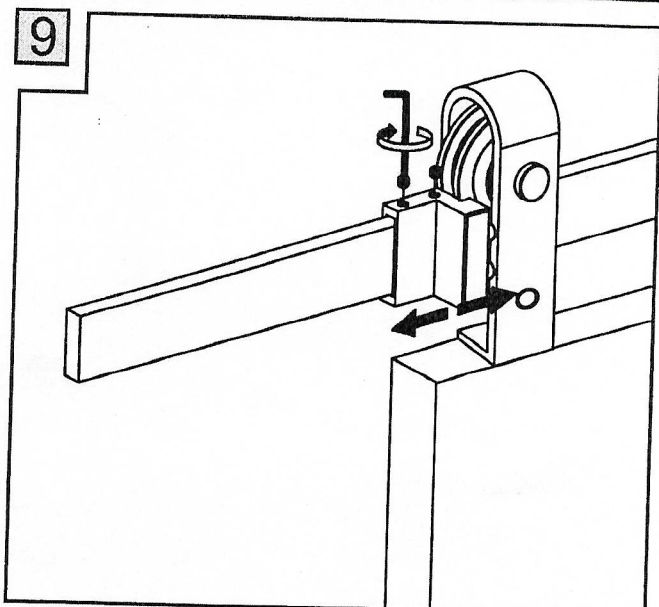


7b.:Double bifold door: Drill the hole on the bottom of doors following the instruction; if you purchase the bifold door from us, the exist hole is just suit for single bifold door, you need to drill the hole in another side of the door.

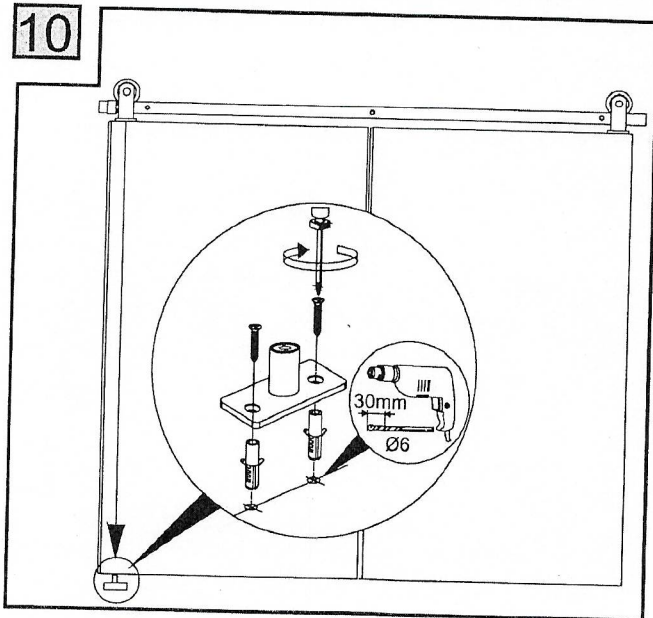
8



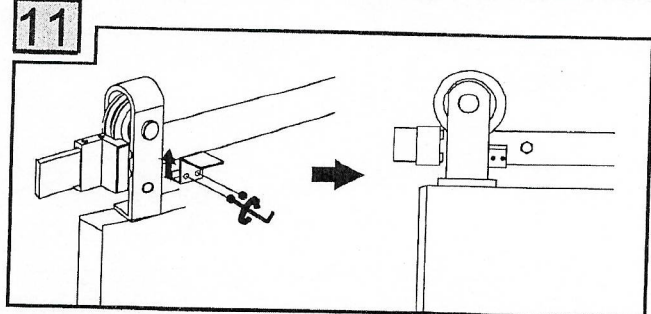
9



10



11



12

This step is only for double door:  
Connect up every track piece with junction plates

